



THE MAKERS OF
Armaflex®

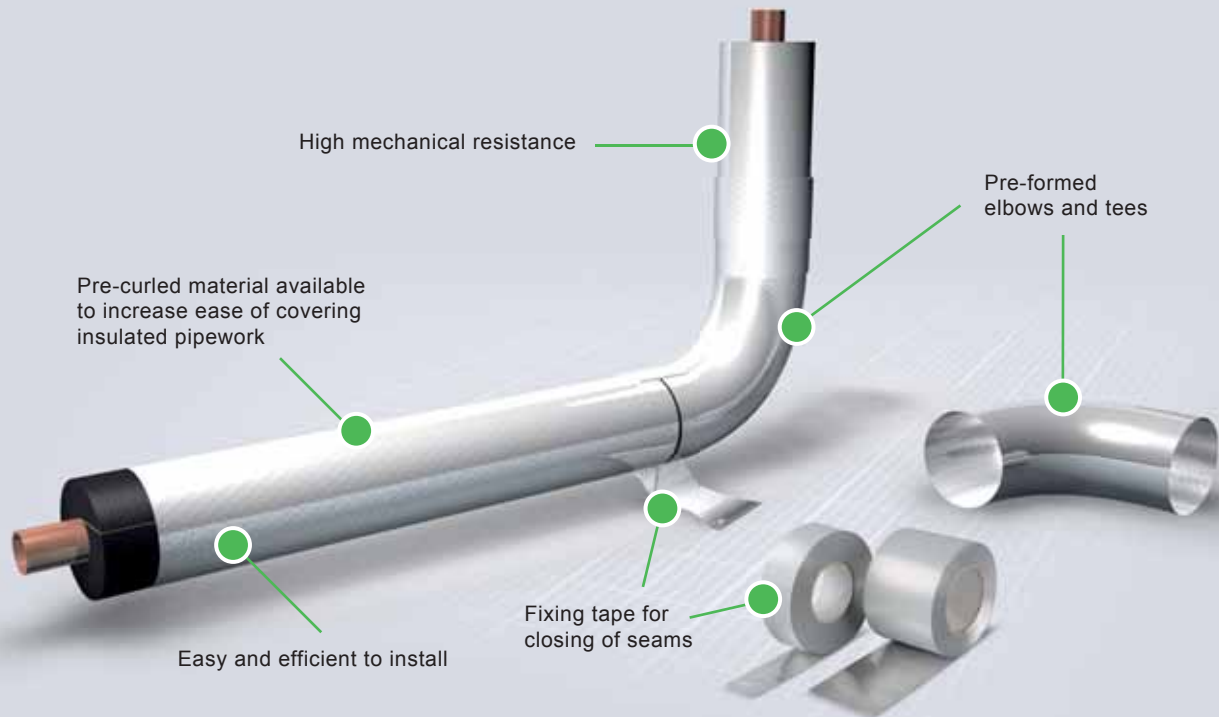


Arma-Chek® Silver

The professional covering system with excellent aesthetic appearance



► New generation solution: complete pipeline system



Designed to provide mechanical and weather protection for Armaflex, Arma-Chek[®] Silver provides an efficient and economical means to protect sheet and tube insulation. Arma-Chek[®] Silver is a multi-layer laminate of aluminium, coated with special UV protection and PVC backing. Arma-Chek[®] Silver has high puncture and tear resistance, contains flame retardant, and can be used as an exterior facing on hot or cold insulation systems. This product also offers excellent water tightness and vapour-barrier performance.

Seams and joints are easily secured with a simple two-step process and without special tools. First, overlaps in Arma-Chek[®] Silver are glued with

Armaflex 520 adhesive. This adhesive is a high-strength polymer system for joining Armaflex and Arma-Chek[®] to create a vapour-tight seal. Based on a modified chloroprene rubber, it has low viscosity for ease of application and it dries quickly to speed installation. Once glued, seams and joints are simply secured with Arma-Chek[®] Silver Tape. This tape is designed to provide a good optical match and to provide a weather-proof seal.

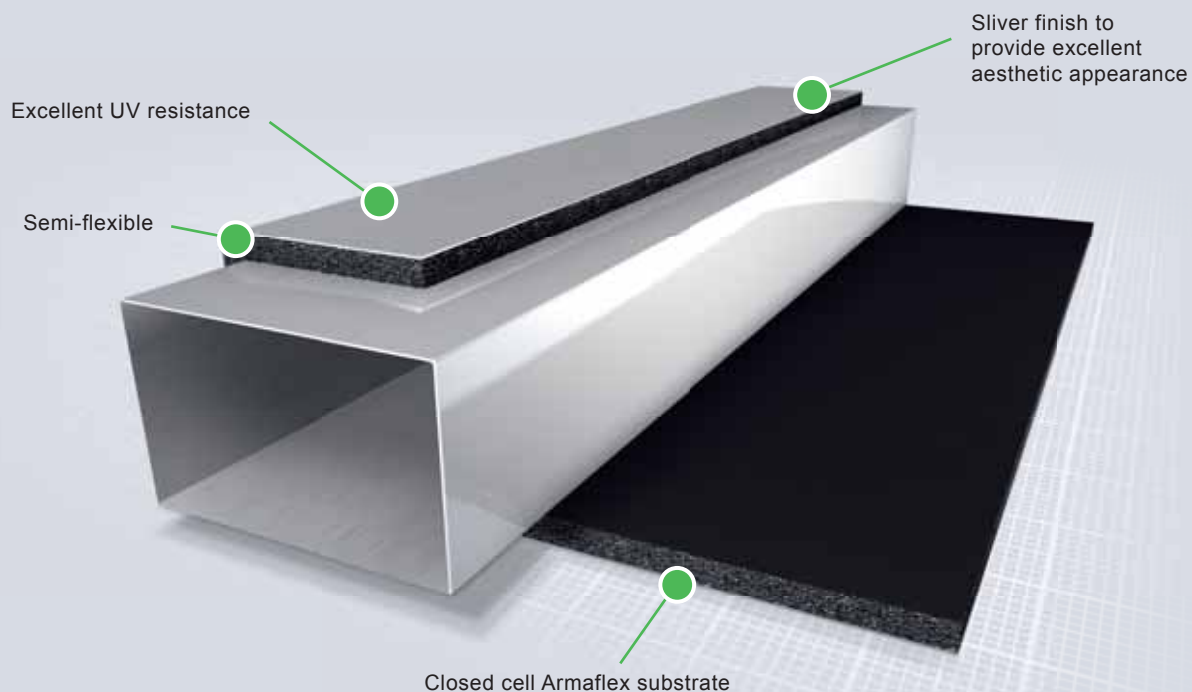
In the event of system maintenance, Arma-Chek[®] Silver is quick and easy for removal and replacement. This requires far less skill than traditional metal cladding, and does not require special tools and equipment necessary for metal.

► Flexible pre-fabricated tees



Preformed elbows and tees offer seamless joints. This is a significant advantage over metal cladding, where the segmented joints and overlaps may allow the entry of water.

► New generation efficiency: optically smart at a competitive cost



Arma-Chek® Silver is highly resistant to deformation from impact. The elastic behaviour of the material allows it to “bounce back” into its original shape, rather than being permanently deformed like metal jacketing.

In the event of system maintenance, Arma-Chek® Silver is quick and easy for removal and replacement. This requires far less skill than traditional metal cladding, and does not require special tools and equipment necessary for metal.

The exterior surface of an insulation material can affect the insulation thickness needed to prevent condensation. This is because the material's surface will affect the heat transfer achieved by absorption. Dark coloured bodies absorb more thermal energy than light-coloured, reflective ones. The technical value that describes this characteristic is the Heat-Transfer Coefficient. When applying reflective or metal coverings to cold-system insulation, it is important to consider this characteristic.

► Flexible pre-fabricated elbows



The manufacture of traditional multi-piece cladding, either metal or flexible, can require complex shapes and skilled workmanship. Typically, this cannot be done on-site and requires a remote workshop with specialised tools. Preformed, flexible pieces of Arma-Chek® Silver offer a significant advantage over such traditional materials.

Arma-Chek® Silver

► Technical data

	Values	Remarks
Total Weight	340 g/m ²	EN 22 286
Thickness	230 µm	
Tensile Strength	MD 200 N/15 mm CD 175 N/15 mm	EN ISO 527-3 EN ISO 527-3
Puncture Ø 0,8 mm	23 N	prEN 14 477
Puncture Ø 3,0 mm	87 N	prEN 14 477
Nail Tear Strength	MD 50 N CD 42 N	EN 12310-1 EN 12310-1
LOI	35,5 %O ₂	ISO 4589
UV-light Resistance Testing	Excellent	ASTM G 26A & ISO 4892-2
Water Vapour Permeability	< 0,028 g/m ² /d	ISO 15106-2
Temperature Resistance	-25 to +75 °C	

For chemical resistance, please consult Armacell Technical Department

Arma-Chek® Silver covering on rolls



Colour: Silver

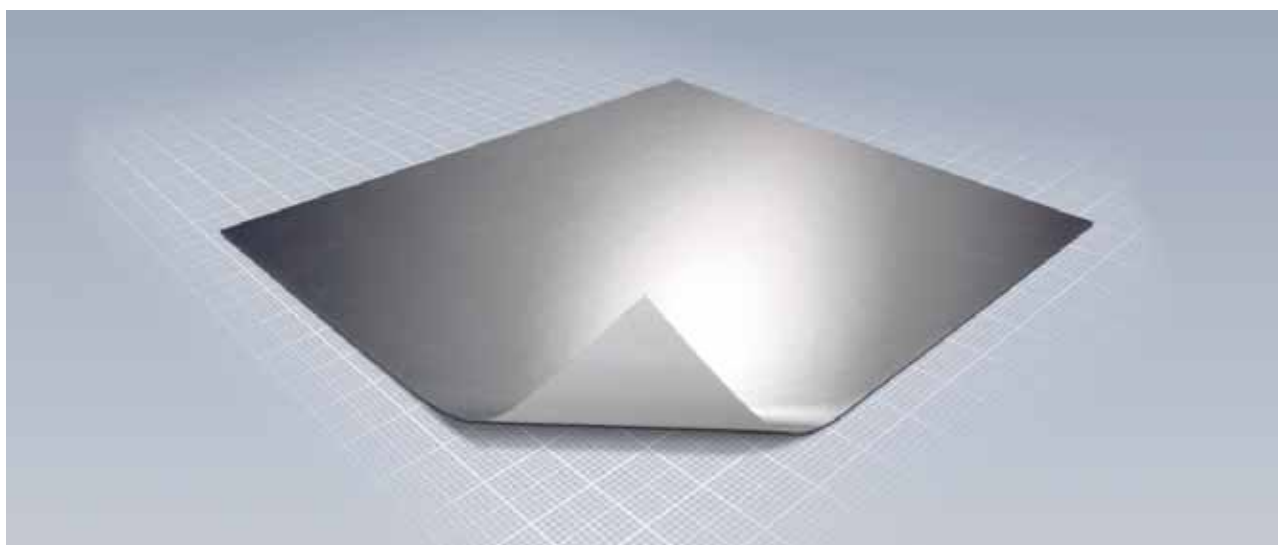
Part Number	Description	Width mm	Length m	Total Area m ²	Weight kg
ACH-SI25	Arma-Chek Silver Roll	1,040	25	26.0	9
ACH-SICE25	Arma-Chek Silver Curl-Effect Roll	1,040	25	26.0	9

Arma-Chek® Silver self-adhesive tape



Colour: Silver

Part Number	Description	Width mm	Length m	Thickness mm	Rolls per Carton
ACH-PSATAPES-30	Arma-Chek Silver Tape 30 mm	30	25	0.18	10
ACH-PSATAPES-50	Arma-Chek Silver Tape 50 mm	50	50	0.18	6



THE MAKERS OF
Armaflex®

Armacell Asia Ltd
Room 1201, Tai Tung Building
8 Fleming Road, Wan Chai
Hong Kong
Tel +852 2574 8420
Fax +852 2574 8394

Armacell (Guangzhou) Limited
Room 2913, Yi An Plaza
No.33 Jian She 6th Road
Guangzhou, China
Zip: 510060
Tel +86 (20) 8363 4518
Fax +86 (20) 8363 4370

Armacell (Thailand) Limited
88 Mu 4, Donkrabueng
Banpong, Ratchaburi 70110
Thailand
Tel +66 (0) 32 353 205-7
Fax +66 (0) 32 353 208

www.armacell.com

All statements and technical information are based on results obtained under typical conditions. It is the responsibility of the recipient to verify with us that the information is appropriate for the specific use intended by the recipient.

Publication Date: September 2010